

Mini Monitor Installation, Operation and Maintenance



Made in the
United States of America



Figure 1. Desco [19243](#) Mini Monitor

Description

The Desco [19243](#) Mini Monitor is a single workstation continuous monitor. It continuously monitors the path-to-ground integrity of one operator and one ESD worksurface. The Mini Monitor eliminates the need for periodic testing and record keeping of wrist straps.

The Mini Monitor is designed with Wave Distortion Technology which provides stable continuous monitoring of the path-to-ground and presence of 1 megohm resistance of an operator's wrist strap. Audio and visual alarms activate (in less than 50 milliseconds) when the operator unintentionally disconnects from the monitor or the wrist strap connection points are intermittent. The Mini Monitor also serves as a ground point for an ESD worksurface and monitors for a path-to-ground of less than 500 megohms. All Mini Monitors are calibrated to NIST standards and include a certificate.

WAVE DISTORTION

Wave Distortion Technology is the Most Reliable Technology for the Continuous Monitoring of Single-Wire (Conductor) Wrist Straps

"Wave Distortion" or vector impedance works by applying a continuous test voltage of 1.2 volts peak-to-peak at 1 to 2 microamperes (0.000002 amperes) to the wrist strap that is connected to the continuous or constant monitor. The test voltage creates a sine wave that the monitor circuit compares to established patterns. By monitoring the "distortions", or shape of the sine wave, Wave Distortion Technology determines if the monitored circuit is complete - the operator is in the circuit and the total equivalent DC resistance is within specifications. Wave Distortion Technology produces a very fast alarm time (<50 milliseconds) and minimal false alarms.

EN 61340-5-1 states "Compliance verification records shall be established and maintained to provide evidence of conformity to the technical requirements." Per ANSI/ESD S1.1 Annex A.3 Daily (wrist strap system) testing may be omitted if constant monitoring used." Per ESD Handbook ESD TR 20.20 section 5.3.2.4.4 "Typical Test programs recommend that wrist straps that are used daily should be tested daily. However, if the products that are being produced are of such value that knowledge of a continuous, reliable ground is needed, and then continuous monitoring should be considered or even required."

The Mini Monitor and its accessories are available as the following item numbers:

Item	Description
19243	Mini Monitor, Universal Power Adapter
98221	Wave Distortion Monitor Verification Tester
50438	Power Adapter, 100-240VAC Input, 24VDC 150mA Output, North America Plug
200220	Power Cord, Europe Plug
200225	Power Cord, UK Plug

Packaging

- 1 Mini Monitor
- 2 Push and Clinch Snaps
- 1 Power Adapter, 24VDC
- 1 Certificate of Calibration

NOTE: A power cord must be purchased separately when ordering the Mini Monitor. See the table above for available power cord item numbers.

Features and Components



Figure 2. Mini Monitor features and components

A. Power Jack: Connect the included 24VDC power adapter here.

B. Operator LEDs: Illuminates green when the operator is properly grounded. Illuminates solid red and audible alarm sounds when the operator is not properly grounded.

C. Worksurface LEDs: Illuminates green when the worksurface is properly grounded. Illuminates red and audible alarm sounds when the worksurface is not properly grounded.

D. Park Snap: Allows the operator to disconnect (and park) a wrist strap when leaving the workstation, without creating a false alarm. Touch the park snap and the monitor's audible alarm will disable for 6 seconds. Use this time to disconnect the wrist cord from the wristband, and attach it to the park snap or remove the banana plug from the jack. Upon returning to the workstation and disconnecting the wrist cord from the park snap, the operator has 6 seconds to reconnect the wrist cord to a worn wristband before activating the alarm.

E. Monitored Operator Jack: Insert the single-wire wrist cord here to monitor the operator's connection to ground.

F. 10mm Ground Snap: Connects the worksurface mat to electrical ground.

G. 10mm Worksurface Monitor Snap: Verifies that the worksurface's path-to-ground is <500 megohms.

Installation

1. Remove the Mini Monitor from the carton, and inspect for damage.
2. Locate an appropriate AC outlet near the Mini Monitor, and test it for proper wiring and grounding prior to use. The Vermason AC Outlet Analyser or similar test equipment may be used to verify the outlet's functionality. Use item number [224713](#) for 220VAC UK outlets and item number [224715](#) for 220VAC European outlets.
3. Determine the mounting location of the Mini Monitor. It is normally installed toward the front edge of a workstation where its LEDs can be visible to the operator. Install the two included push and clinch snaps to the worksurface mat.

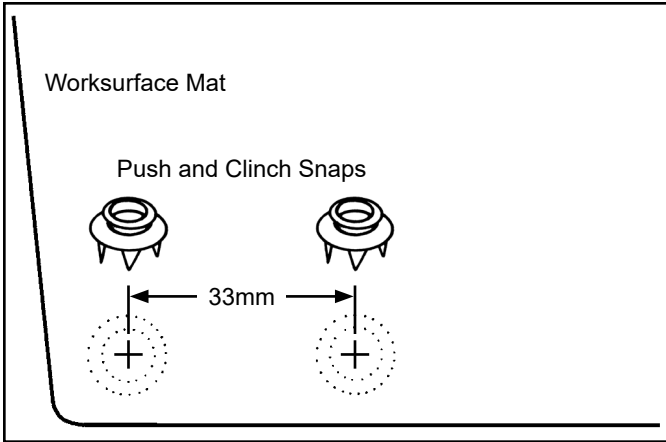


Figure 3. Installing the push and clinch snaps to the front edge of a worksurface mat

- Align the two snaps underneath the Mini Monitor to the two snaps on the worksurface mat. Apply downward force on the monitor once aligned to snap the Mini Monitor into place.

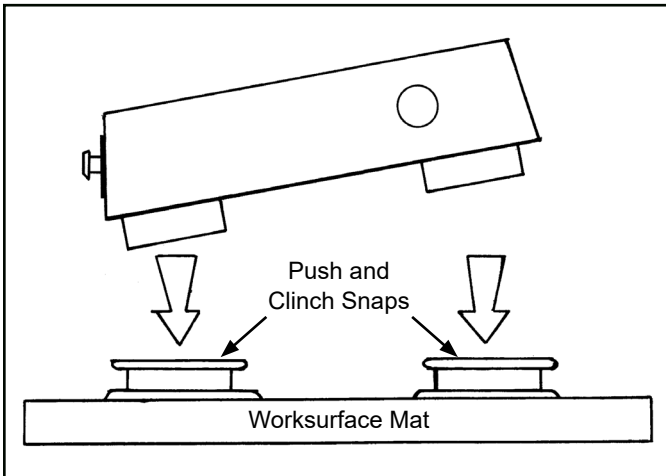


Figure 4. Connecting the Mini Monitor to the push and clinch snaps on a worksurface mat

- Connect the power adapter to the power jack located on the top-side of the Mini Monitor. Route the wire from the supply to the tested AC outlet, and plug it into the outlet.

Operation

- Fit the wristband snugly onto the wrist.
- Snap the wrist cord to the wristband.
- Plug the wrist cord into the operator jack. The green operator LED will illuminate. This indicates that the operator is properly grounded.
- If this does not happen, examine the wrist cord for continuity or damage and the wristband to ensure that it fits securely. If you have dry skin, apply an approved dissipative hand lotion such as [Menda Reztore® ESD Hand Lotion](#).
- When leaving the workstation, first touch the monitor's park snap. The monitor's audible alarm will disable for 6 seconds. Use this time to disconnect the wrist cord from the wristband and attach it to the park snap without sounding a false alarm.
- Upon returning to the workstation and disconnecting the wrist cord from the park snap, the monitor will provide 6 seconds for the operator to reconnect the wrist cord to a worn wristband before sounding the monitor's alarm.



Figure 5. Using the Mini Monitor

Calibration

Frequency of recalibration should be based on the critical nature of those ESD sensitive items handled and the risk of failure for the ESD protective equipment and materials. In general, Desco recommends that calibration be performed annually.

Use the Desco [98221](#) Wave Distortion Monitor Verification Tester to perform periodic verification (once every 6-12 months) of the Mini Monitor. The verification tester can be used to check the test limits of the Mini Monitor without removing it from the workstation.

See [TB-3074.E](#) for more information.



Figure 6. Desco [98221](#) Wave Distortion Monitor Verification Tester

Specifications

Input Voltage and Frequency (External Adapter)	AC/DC Power Adapter Power Input: 100-240VAC, 50/60 Hz Power Output: 24VDC @ 150mA Cable Length: 5 ft. (1.5 m)
Operating Temperature	50 to 95°F (10 to 35°C)
Environmental Requirements	Indoor use only at altitudes less than 6500 ft. (2 km) Maximum relative humidity of 80% up to 85°F (30°C) decreasing linearly to 50% @ 85°F (30°C)
Dimensions	2.77" L x 2.08" W x .90" H (70 mm x 53 mm x 23 mm)
Weight	0.1 lbs. (0.05 kg)
Operator Test Range*	500 kilohms to 10 megohms impedance
Worksurface Test Limit**	500 megohms (±20%)
Operator Test Voltage	1.2V peak-to-peak @ 1.2µA, open circuit
Worksurface Test Voltage	5 to 7.5V, open circuit
Alarm Response Time	<50 ms
Country of Origin	United States of America

*This cannot be verified with standard DC test equipment. The continuous monitor is an impedance sensing device, and the limits are determined by the magnitude and angle of the impedance.

**The worksurface mat must have a conductive layer such as Dual Layer Rubber or Dissipative 3-Layer Vinyl with conductive buried layers. Desco Europe workstation monitors are not recommended for use with homogeneous matting.

Limited Warranty, Warranty Exclusions, Limit of Liability and RMA Request Instructions

See the Desco Europe Warranty -

<http://www.descoeurope.com/Limited-Warranty.aspx>