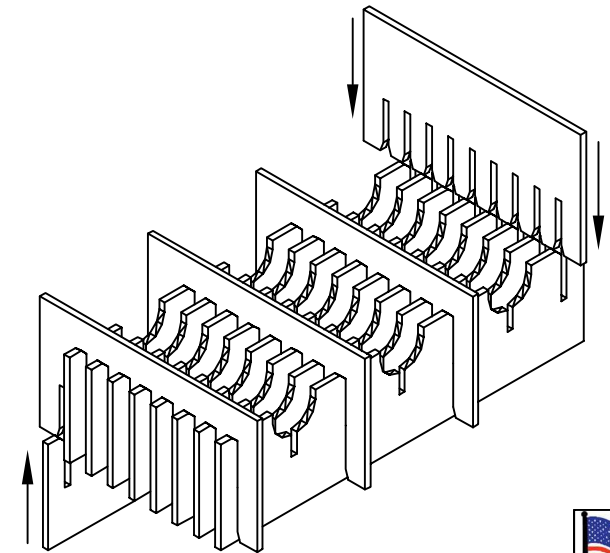
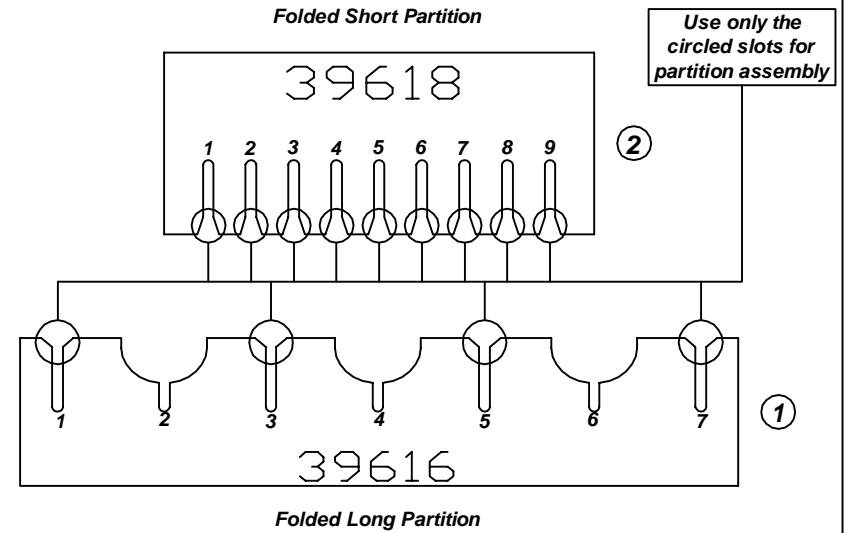
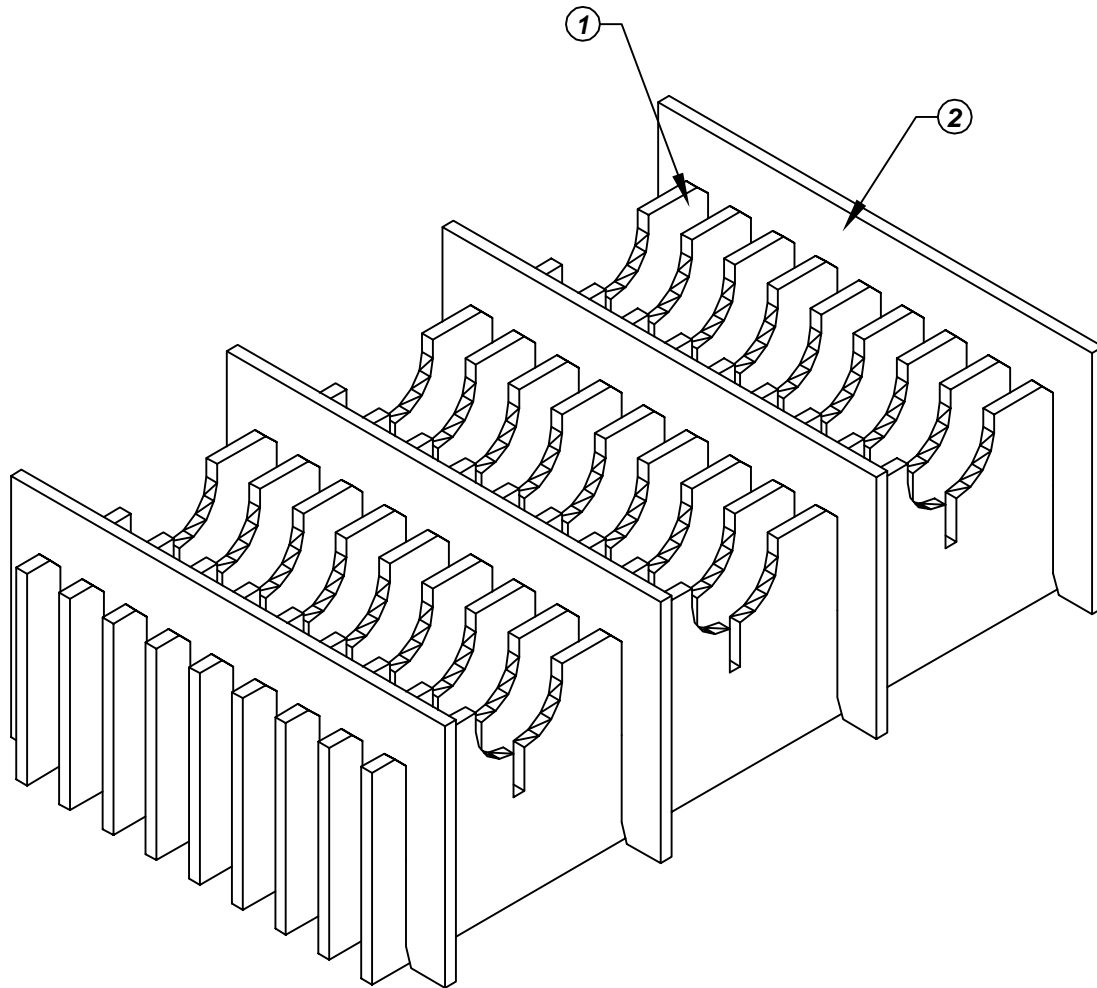


# Assembly Instructions for - 37164



Made in America

F/N ①	Part # <b>39616</b>	Dimensions: <b>8-11/16" x 16-13/16"</b>	Description: <b>401-LP Long Partition</b>	Qty: <b>9</b>
F/N ②	Part # <b>39618</b>	Dimensions: <b>10-11/16" x 10"</b>	Description: <b>401-SP Short Partition</b>	Qty: <b>4</b>

## 37164 - 30 Cell Inplant Handler Cell Size - 5-3/8" x 4-3/4" x 3/4"

Notes:  
For use with the following storage container & lid:  
37501 - Storage Container  
37550 - Lid

PROTEKTIVE PAK  
13520 MONTE VISTA AVENUE, CHINO, CA 91710  
PHONE (909) 627-2578, FAX (909) 363-7331  
ProtektivePak.com

**PROTEKTIVE PAK**  
BURIED CONDUCTIVE LAYER

DRAWING NUMBER  
**IPH-37164**

DATE  
Nov.  
2007