



## DENTAL LABORATORY DUST AND FUME EXTRACTION SOLUTIONS

# DentalPRO Xtract 100

DUST AND FUME **EXTRACTION CABINET**  
FOR **DENTAL LABORATORY** APPLICATIONS.

BOFA's DentalPRO Xtract 100 dust and fume extraction cabinet is designed for the effective removal of potentially harmful dust and fumes generated during dental hand finishing or Monomer mixing applications.

This unit is ideally suited to manual bench top applications and provides technicians the flexibility to work without restriction in the knowledge that dust particles and fumes are being effectively removed to maintain a safe working environment.

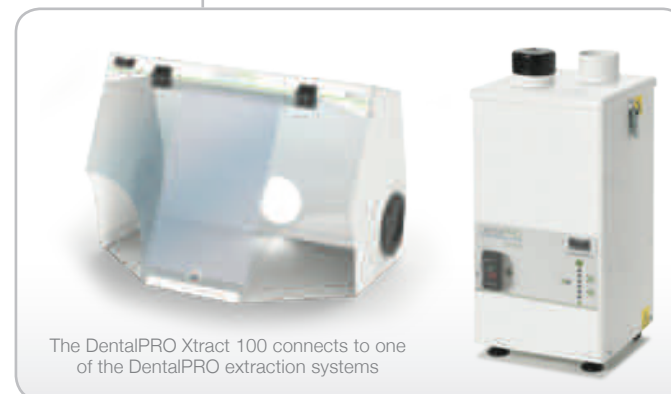
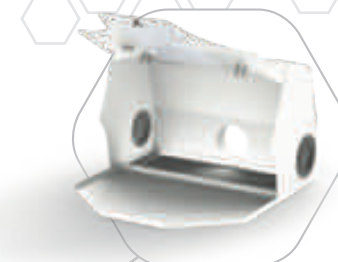
This system combines maximum technician protection in a small footprint, with scalable and flexible options.

### STANDARD FEATURES:

- Easily replaced screen protector ensures clear visibility at all times
- Internal LED strip light
- Side entry grommets for mains powered hand finishing units
- Removable collection tray
- Strong rigid construction
- Powder coated white

### OPTIONAL FEATURES:

- DentalPRO 250 filtration system
- DentalPRO 400 filtration system
- DentalPRO Mono filtration system

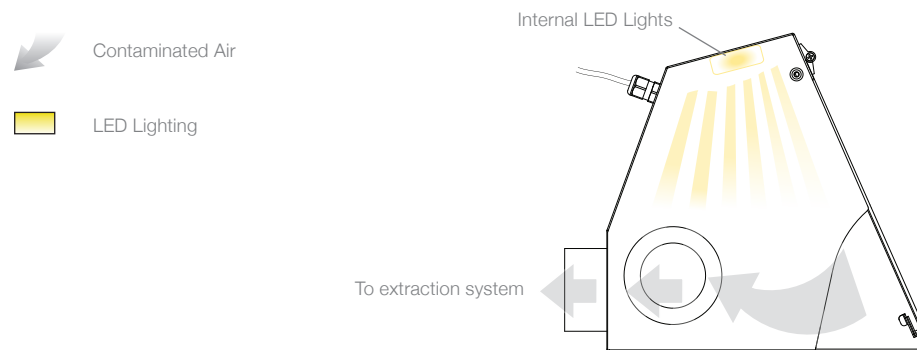


The DentalPRO Xtract 100 connects to one of the DentalPRO extraction systems

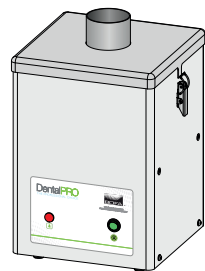
## TECHNICAL DATA - DentalPRO Xtract 100

	EU	US
Dimensions (HxWxD)	289 x 400 x 300 mm	11.4 x 15.7 x 11.8"
Opening Dimensions (HxW)	265 x 400mm	10.4 x 15.7"
Recommended Face Velocity	0.5m/s	118 f/min
Approvals	CE	

## AIRFLOW THROUGH FILTERS



## RECOMMENDED DUST AND FUME EXTRACTION SYSTEMS



DentalPRO Mono

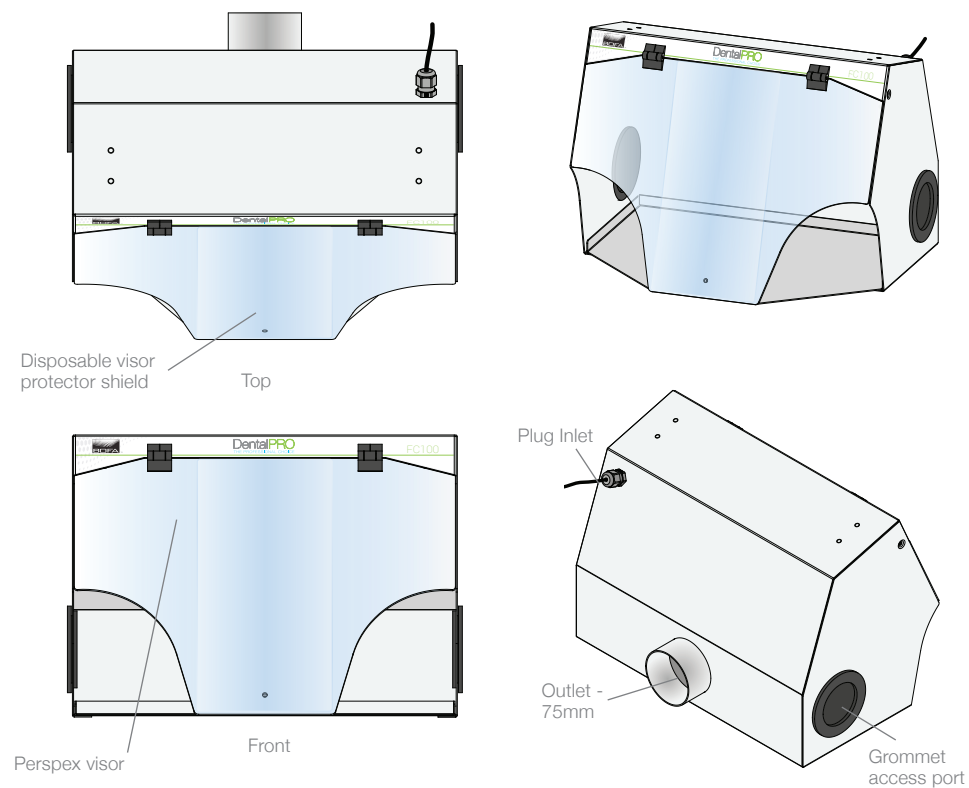


DentalPRO 250



DentalPRO 400

## TECHNICAL SPECIFICATION



# 1 CABINET

## A. CABINET

Model	Part Number
DentalPRO Xtract 100	D0945A0000



# 2 HOSE KIT

## HOSE KIT

NEEDED IF ORDERING FROM MENU 3

Description	Part Number
Hose kit to connect extraction system to DentalPRO Xtract cabinet	A1020068



# 3 EXTRACTION SYSTEM

## A. DENTALPRO 400

Model	Option	Voltage	Part Number
DentalPRO 400 Powder coated unit Twin port 75mm lid	24V Stop / Start Override Silter Change Signal	90V - 257V	DL0944A0000
			DL0944A0001



## B. UNIT OPTIONS

Description	Part Number
Foot switch (ON / OFF Operation)	A1070184

## C. DENTALPRO 250

Model	Voltage	Part Number
DentalPRO 250 Powder coated unit Single port 75mm lid	230V	DL0142A0000
	115V	DL0141A0000
DentalPRO 250 Powder coated unit Single port 75mm 90° spigot lid	230V	DL0142A8000
	115V	DL0141A8000



## D. UNIT OPTION

Description	Part Number
Foot switch (ON / OFF Operation)	A1070184

## E. DENTALPRO MONO

Model	Voltage	Part Number
DentalPRO Mono Powder coated unit Single port 75mm lid	230V	DL2043A0000
	115V	DL2041A0000



Other hose kits and filters are available. All of the above units are fitted with our standard filter combinations. For specific applications please call us for details. Replacement filters should always be ordered using the part number on the filters inside your extractor to ensure the correct filter is ordered. Datasheet correct at time of print.

DentalPRO-Xtract100:9/8/18 V:1.2

**BOFA INTERNATIONAL LTD**

Tel: +44 (0) 1202 699 444 Fax: +44 (0) 1202 699 446 Email: sales@bofa.co.uk Web: www.bofa.co.uk

**BOFA AMERICAS, INC**

Tel: (618) 205 5007 Fax: (866) 707 2632 Email: sales@bofaamericas.com Web: www.bofaamericas.com



British Quality

