



## DENTAL LABORATORY DUST AND FUME EXTRACTION SOLUTIONS

# DentalPRO Accessories

DUST AND **FUME EXTRACTION** ACCESSORIES  
FOR **DENTAL LABORATORY** APPLICATIONS.

BOFA offers a choice of interchangeable accessories designed to work with its DentalPRO series dust and fume extraction systems.

BOFA's DentalPRO range of dust and fume extraction systems and fume cabinets have been developed to effectively remove potentially harmful dust, particulates, fumes and vapours generated during dental laboratory manufacturing processes.

Collectively, the under bench systems and bench top accessories are ideally suited to manual Monomer mixing and hand finishing applications, where they provide technicians with the flexibility to work without restriction, but in the knowledge that potentially harmful dust and fumes are being removed to maintain a safe working environment.

All BOFA accessories are specialist dust and fume extraction devices, designed to keep the working environment safe.

With a choice of accessories, the DentalPRO series dust and fume extraction systems caters for all dental laboratory applications.



### LED LIGHT ARM

- A portable device for maximum flexibility, but with a 'stay put' arm that maintains its position
- Contains a useful low cost LED light that illuminates detailed working areas



### PLENUM FUNNEL ARM

- A portable device for maximum flexibility, but with a 'stay put' arm that maintains its position
- Designed to sit on the bench top at a particular angle that creates a laminar flow across the working area to capture the maximum level of dust and fumes



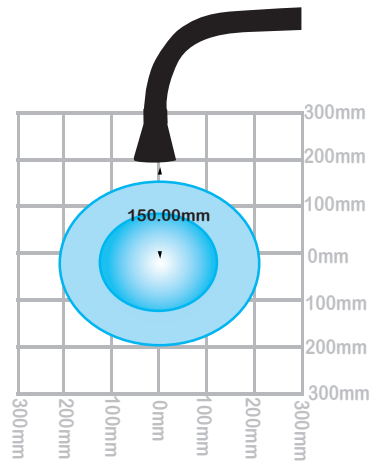
### DOWN DRAUGHT TRAY

- A portable device for maximum flexibility
- Specifically designed to capture fumes and vapours emitted by mixing Monomers

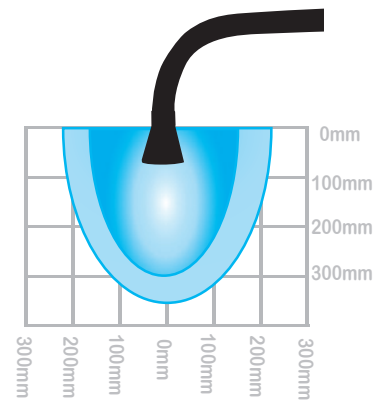
## TECHNICAL DATA

	LED LIGHT ARM		PLENUM FUNNEL ARM		DOWN DRAUGHT TRAY	
	EC	US	EC	US	EC	US
Dimensions (HxWxD)	630 x 50mm	24 x 2"	630 x 50mm	24 x 2"	360 x 310 mm	14.1 x 12.2"
Construction	Formed plastic					
Approvals	CE					

## AIRFLOW EXTRACTION AREA



Capture area of 'Stay Put' arm when extracting at a flow rate of 60m<sup>3</sup>/hr (darker shading) and 100m<sup>3</sup>/hr with the arm situated above the working area.



Capture area of 'Stay Put' arm when extracting at a flow rate of 60m<sup>3</sup>/hr (darker shading) and 100m<sup>3</sup>/hr with the arm resting on the work surface.

## EXTRACTION SYSTEMS

These accessories are designed to work with the following BOFA DentalPRO range of dust and fume extraction systems.

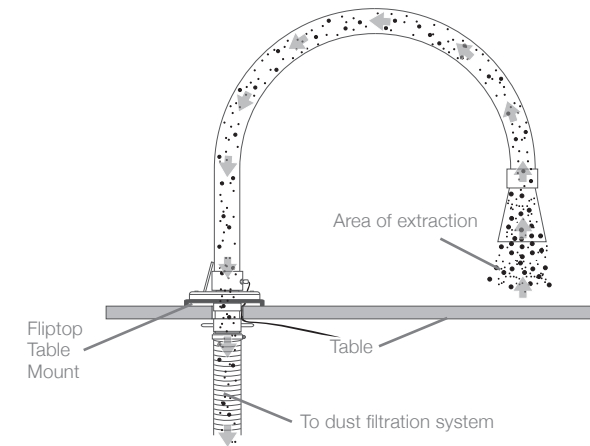
- DENTALPRO MONO
- DENTALPRO 250
- DENTALPRO 400



## AIRFLOW THROUGH HOSE

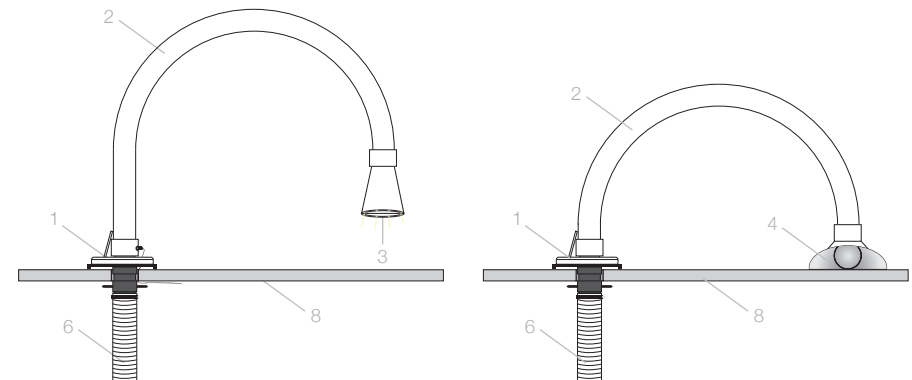
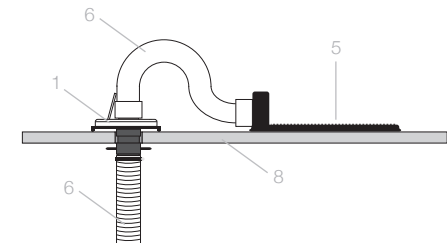


Contaminated Air  
Particulate



## TECHNICAL SPECIFICATION

1. Flip top table mount
2. Stay Put arm
3. LED light ring
4. Plenum funnel
5. Down draught tray
6. Flexi hose 50mm
7. Cable for LED light arm
8. Tabletop



# 1 ACCESSORY

## A. ARM ACCESSORIES

Number Reference	Description	Part Number
1	DentalPRO LED Light Arm - 50mm Stay Put Arm	A1020314
2	DentalPRO Down Draught Tray - 50mm Flexi Hose	A1020316
3	DentalPRO Plenum Funnel Arm - 50mm Stay Put Arm	A1020315



# 2 HOSE KIT

## A. BENCH TOP HOSE KIT

NEEDED IF ORDERING FROM MENU 3

Description	Part Number
Hose kit with fliptop table mount to connect to DentalPRO desk accessory	A1020309



# 3 EXTRACTION SYSTEM

## A. DENTALPRO 400

Model	Option	Voltage	Part Number
DentalPRO 400 Powder coated unit Twin port 75mm lid	24V Stop / Start Override Silter Change Signal	90V - 257V	DL0944A0000
			DL0944A0001



## B. UNIT OPTIONS

Description	Part Number
Foot switch (ON / OFF Operation)	A1070184

## C. DENTALPRO 250

Model	Voltage	Part Number
DentalPRO 250 Powder coated unit Single port 75mm lid	230V	DL0142A0000
	115V	DL0141A0000
DentalPRO 250 Powder coated unit Single port 75mm 90° spigot lid	230V	DL0142A8000
	115V	DL0141A8000



## D. UNIT OPTION

Description	Part Number
Foot switch	A1070184

## E. DENTALPRO MONO

Model	Voltage	Part Number
DentalPRO Mono Powder coated unit Single port 75mm lid	230V	DL2043A0000
	115V	DL2041A0000



Other hose kits and filters are available. All of the above units are fitted with our standard filter combinations. For specific applications please call us for details. Replacement filters should always be ordered using the part number on the filters inside your extractor to ensure the correct filter is ordered. Datasheet correct at time of print.

DentalPRO-Accessories:26/9/18 V:1.3



**BOFA INTERNATIONAL LTD**

Tel: +44 (0) 1202 699 444 Fax: +44 (0) 1202 699 446 Email: sales@bofa.co.uk Web: www.bofa.co.uk

**BOFA AMERICAS, INC**

Tel: (618) 205 5007 Fax: (866) 707 2632 Email: sales@bofaamericas.com Web: www.bofaamericas.com



British Quality

