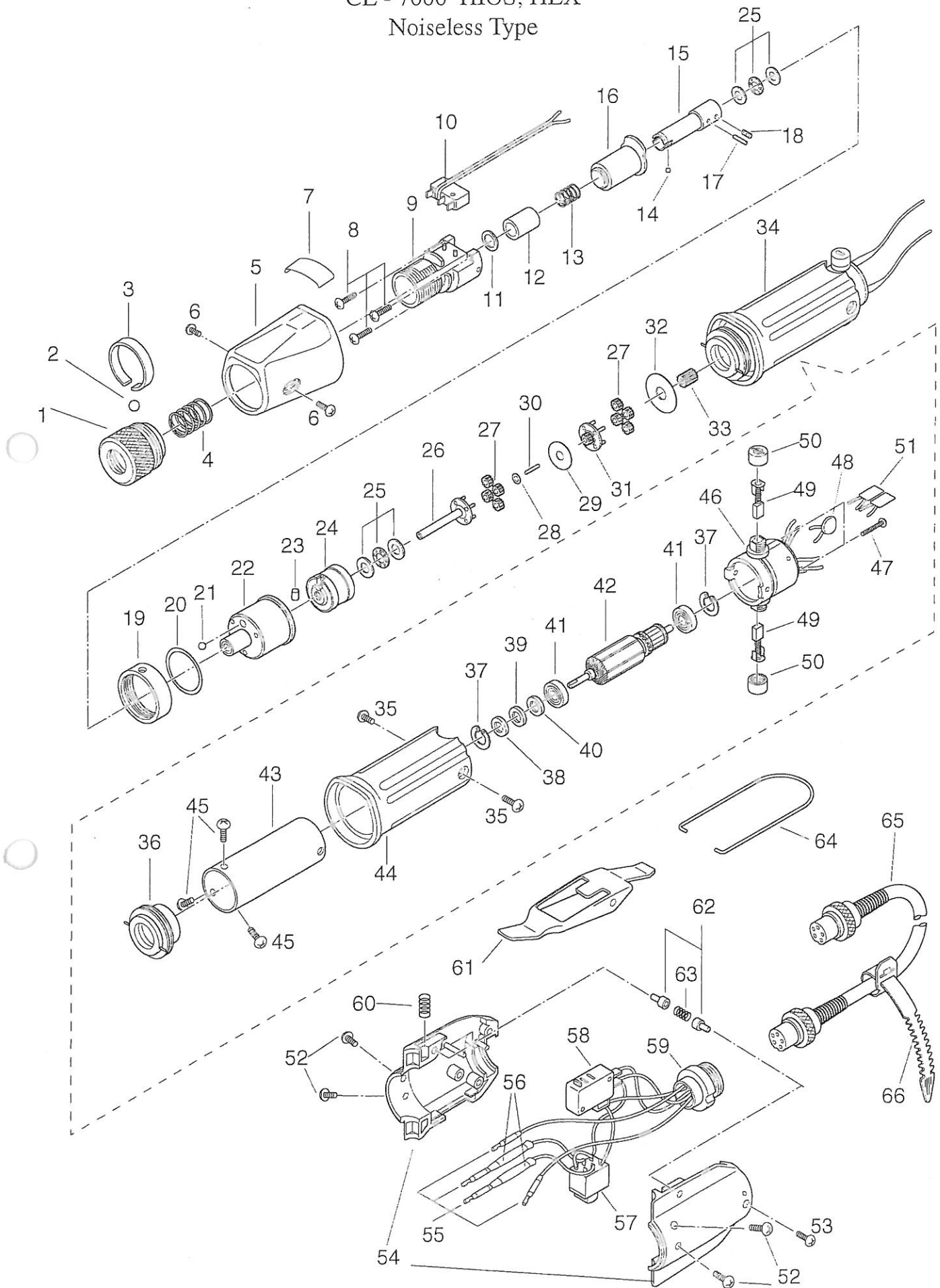


EXPLODED VIEW DRAWING

CL - 7000 HIOS, HEX

Noiseless Type

Issued : April, 1993
Revised : April, 2001



(Ver No. CL-701-NL)

HIOS inc.

PARTS LIST OF CL-7000

NOISELESS TYPE
(HIOS SHANK,HEX SHANK)

ISSUED: April,1993

REVISED:

PARTS NAME	PARTS NO.	PARTS NAME	PARTS NO.
Transmission Assembly 1 - 33 (W/O 10)	CL7-TM	Upper Planet Cage Assembly 31,27	CL7-3310
Transmission Assembly 1 - 33 (W/O 10)	CL7X-TM		
		31 Upper Planet Cage	CL7-0310
Torque Adjusting Nut Assembly 1 - 3	CL65-NT	32 Grease Seal	CL65-0320
		33 Pinion Gear	CL7-0330
1 Torque Adjusting Nut	CL65-0010		
2 Steel Ball 3.0 φ	BALL-03	34 Motor	CL7-0340
3 Knotting Ball Band	CL65-0030	35 Set Screw 3x5.5	STB30X055
		36 Motor Front Cover	CL65-0360
4 Torque Adjusting Spring (Purple)	CL7-0040	37 Ring Stopper S	CL65-0370
5 Clutch Cover	CL65-0050	38 Wave Washer	CL65-0380
6 Set Screw 3x5.5	STB30X055	39 Rotor Adjusting Washer 0.1	CL65-0390
7 Mark Label	CL7-0070	40 Rotor Adjusting Washer 0.2	CL65-0400
8 Set Screw 2.6x8	STP26X080	41 Motor Bearing	CL65-0410
9 Torque Adjusting Bolt	CL65-0090	42 Rotor	CL7-0420
		43 Magnet Case	—————
10 Limit Switch	CL4-0230	44 Motor Case	CL7-0440
		45 Set Screw 3x4	STP30X040
Joint Shaft Assembly 11 - 15	CL65-JS		
Joint Shaft Assembly 11 - 15	CL65X-JS	Motor End Cover Assembly 37,41,46 - 51	CL65NL-3470
11 Collar Stopper	CL65-0110	46 Motor End Cover	CL65-0470
12 Joint Shaft Collar	CL65-0120	47 Set Screw 2.6x20	STP26X200
Joint Shaft Collar	CL65X-0120	48 Capacitor	CL4-0441
13 Collar Spring	CL65-0130	49 Carbon Brush	CL65-0491
14 Steel Ball 2.5 φ	BALL-025	50 Carbon Brush Cap	CL65-0500
Steel Ball 2.0 φ	BALL-02	51 Condenser 682KG	CL3NL-0440
15 Joint Shaft	CL65-0150		
Joint Shaft	CL65X-0150	52 Set Screw 3x8	STB30X080
16 Clutch Supporter	CL65-0160	Switch Assembly 53 - 64 (W/O 60,61)	CL65NL-SW
17 Joint Shaft Lock Pin 2x11.8	DL10-0180		
18 Set Screw 3x3	SH30X030	53 Set Screw 2.6x5	STP26X050
19 Gear Case Set Ring	CL65-0190	54 Switch Cover A & B	CL65-0530
20 O-Ring	CL65-0200	55 Terminal Holder	CL4-0550
		56 Noise Filter B	A45-0630
Gear Assembly 21 - 33	CL7-GR	57 For/Rev Switch	CL65-0590
		58 Starting Switch	CL4-0570
21 Clutch Ball 5.5 φ	BALL-055	59 5-Pin Connector	CL4-0580
22 Gear Case	CL65-0220		
23 Cam Roller 5x7	CL65-0230	60 Switch Lever Spring	CL65-0610
24 Internal Gear	CL7-0240	61 Switch Lever	CL65-0641
25 Thrust Bearing 6x12	CL65-0250		
		62 Switch Lever Plunger	CL65-0620
Lower Planet Cage Assembly 26 - 27	CL7-3260	63 Plunger Spring	CL65-0630
		64 Hanger	CL65-0650
26 Lower Planet Cage	CL7-0260		
27 Planet Gear	CL7-0270	65 5-Core Cord W/Connectors In Both Ends	CL65-0660
		66 Free-Up Belt	CL65-0670
28 Thrust Washer	CL4-0290		
29 Gear Plate B	CL7-0680		
30 Center Pin	CL7-0300		