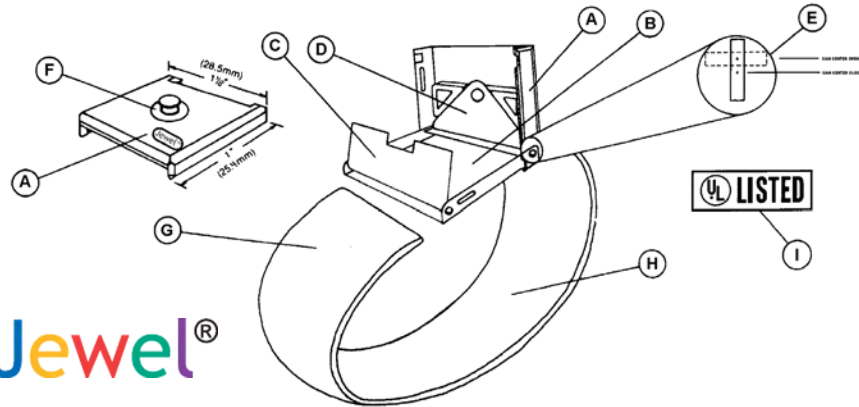




Made in the United States of America



Jewel®

- A. Insulating cap, polycarbonate plastic. Jewel® logo molded into cap.
- B. 300 series stainless steel backplate (0.406mm thick). Manufacturing date code is stamped into stainless steel backplate.
- C. Small cam lock, allows material replacement. 300 series stainless steel.

- D. Large cam lock, allows size adjustment, maintains electrical continuity even when open. 300 series stainless steel.
- E. Floating cam lock allows wide opening for easy adjustment and secures material down against base plate when closed.
- F. 4mm snap stud machined from 300 series stainless steel. Fits to 4mm spring or 10mm loaded medical type socket. Coil cord disengages from snap with .45Kg - 2.27Kg of perpendicular force. Durable, providing long life well beyond that of sheet metal snaps. Also available in a 10mm snap.
- G. Knit elastic band material of light blue fiber; 22mm wide and 2.5mm thick. 50 strands of textured polyester, 36 strands of lycra spandex and 14 strands of silver plated polypropylene yarn. Made with pure silver irreversibly bound to fibers providing both antimicrobial and anti-odor performance. Outer surface of light blue fibers act as an insulator.
- H. The conductive silver plated polypropylene (see G) represents 13.5% of the material by weight. The 14 strands of conductive polypropylene are randomly knit on the inner surface of the material and are electrically isolated from the outer surface (grey side).
- I. Underwriters Laboratory listing 90P1C.

DESCRIPTION	4mm	10mm
Band, sapphire clasp	<a href="#">60000</a>	<a href="#">60001</a>
Band, ruby clasp	<a href="#">60002</a>	<a href="#">60003</a>
Band, amethyst clasp	<a href="#">60004</a>	<a href="#">60020</a>
Band, topaz clasp	<a href="#">60006</a>	<a href="#">60007</a>
Band, emerald clasp	<a href="#">60008</a>	<a href="#">60009</a>
Elastic replacement strip	<a href="#">60005</a>	

**Circumference:**

Min: 63.5mm  
Max: 330mm  
Width: 22mm

**Jewel® Lifetime Limited Warranty**

Charleswater expressly warrants that for a period of 1 year from the date of purchase, Charleswater Jewel® Wrist Straps and Coil Cords will be free of defects in material (parts) and workmanship (labor). In addition, normal use will not cause Coil Cord resistor strain relief connection or Wrist Band 4 mm snap stud to wear sufficiently to open path-to-ground circuit. Within the lifetime warranty period, a credit for purchase of replacement Charleswater Jewel® products, or, at Charleswater's option, the Charleswater Jewel® product will be repaired or replaced free of charge. If product credit is issued, the amount will be calculated based upon the original invoice purchase price.

See drawing [60260.E](#) for coil cord specifications.

Designed to satisfy wrist strap requirements of IEC 61340-5.

Unless otherwise noted, tolerance is ±10%

Specifications and procedures subject to change without notice.



**JEWEL® WRISTBAND, ELASTIC, ADJUSTABLE**

CHARLESWATER  
UNIT 17, MILLBROOK BUSINESS PARK, SYBRON WAY  
CROWBOROUGH, EAST SUSSEX TN6 3JZ UNITED KINGDOM  
PHONE: 00 44 (0) 1892-665313, FAX: 00 44 (0) 1892-668838  
INTERNET: [Charleswater.co.uk](http://Charleswater.co.uk)

Drawing Number  
60000.E

DATE:  
January  
2012