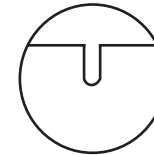
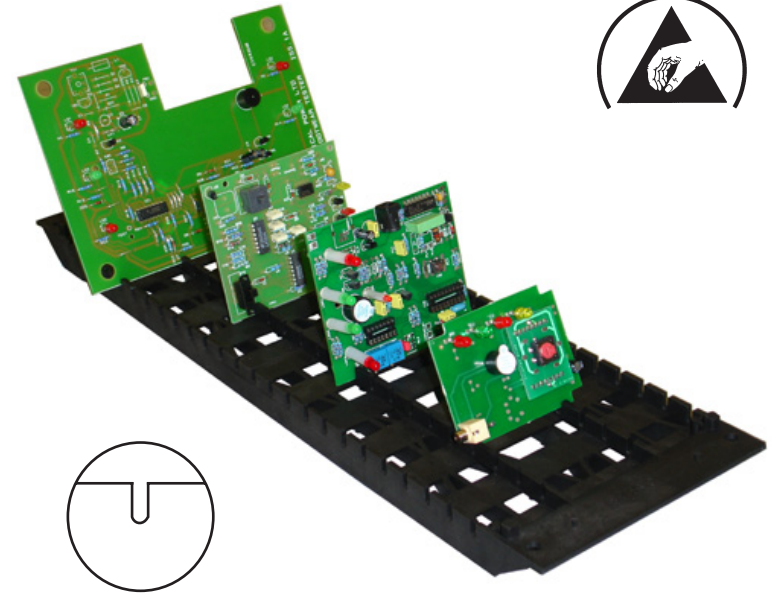


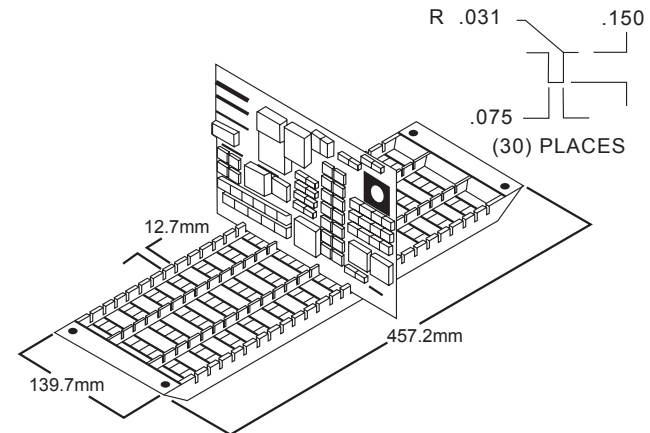
- A. This Vermason PCB rack is moulded of a static dissipative thermoplastic compound based on polypropylene copolymer with carbon black, and reinforced with mica flake.
- B. These racks are designed to protect CMOS loaded boards in storage.
- C. Recommended maximum operating temperature is 135°C.
- D. Open carrying handles.
- E. Measurements: 140mm x 465mm.
- F. Weight: 0.4kg.
- G. 25 slots measure 3mm x 7.5mm on a 15.6mm pitch.

“Tools intended for use within the EPA [ESD protected area] shall, as far as is practicable, be so constructed that they do not generate or hold an electrostatic charge ....All tools and machinery, for example electrical, mechanical or pneumatic, shall be so constructed that any non-insulating part of the tool or machine which may touch an ESDS [ESD sensitive items] shall be at EPA ground potential.” [EN 61340-5-1 clause 5.2.10 Tools, machinery, dispensers and test equipment]



Properties		UNIT	TEST METHOD
<b>Electrical Properties</b>			
Surface Resistance	1x10E5 to 1x10E8	Ohms/square	ASTM D-257
Volume Resistance	1x10E4 to 1x10E7	Ohms-cm	ASTM D-257
<b>Mechanical Properties</b>			
Tensile Strength @ Break	3600 (25)	psi (MPa)	ASTM D-638
Tensile Elongation @ Break	6-9	%	ASTM D-638

ITEM	DESCRIPTION
237225	Conductive PCB Rack, 140mm x 465mm, High Temperature



Made in America

# Vermason

## Conductive PCB Rack, 140mm x 465mm, High Temperature

VERMASON  
 UNIT C, 4TH DIMENSION, FOURTH AVENUE, LETCHWORTH, HERTS, SG6 2TD UK  
 PHONE: +44 (0) 1462-672005, FAX: +44 (0) 1462-670440  
 E-MAIL: [Service@Vermason.co.uk](mailto:Service@Vermason.co.uk), INTERNET: [Vermason.co.uk](http://Vermason.co.uk)

Drawing Number  
**237225**

DATE:  
**February 2009**